



## Welcome to the Kwikset family!

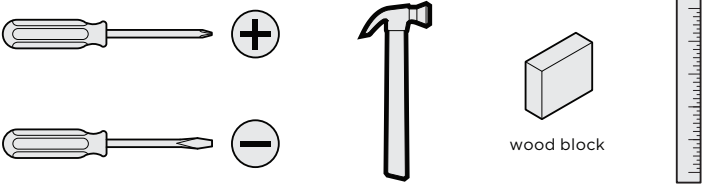
This guide will get you ready to install your handleset.

If you have any issues, please visit our support center: [kwikset.com/support](http://kwikset.com/support) or call us at 1-800-327-5625.

## Installation and Reference Guide

**This manual can be used to install a variety of handlesets.**

Recommended Tools

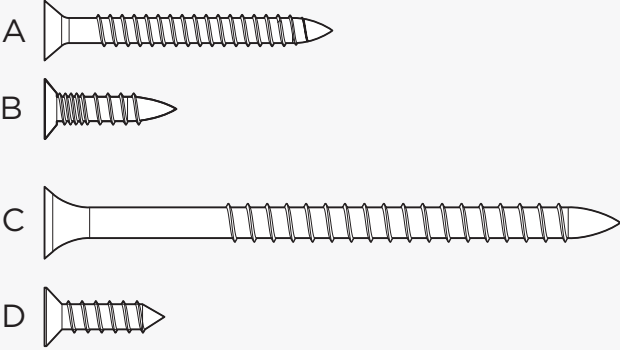


\*Tools will depend on install type

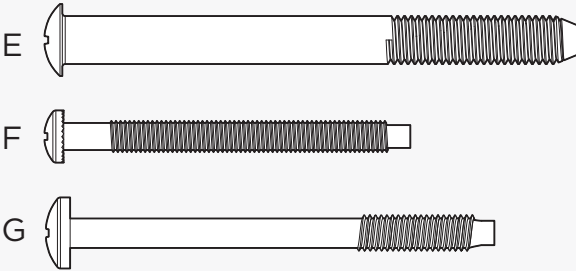
**[Door Prep:](#)** If you need help in preparing your door  
**[Drilling Instructions:](#)** If you need help in drilling your door

# Screw Reference

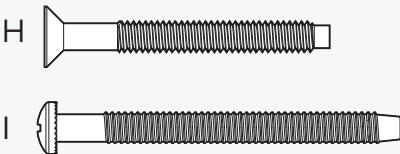
## Latches and Strikes



## Deadbolt and Handleset

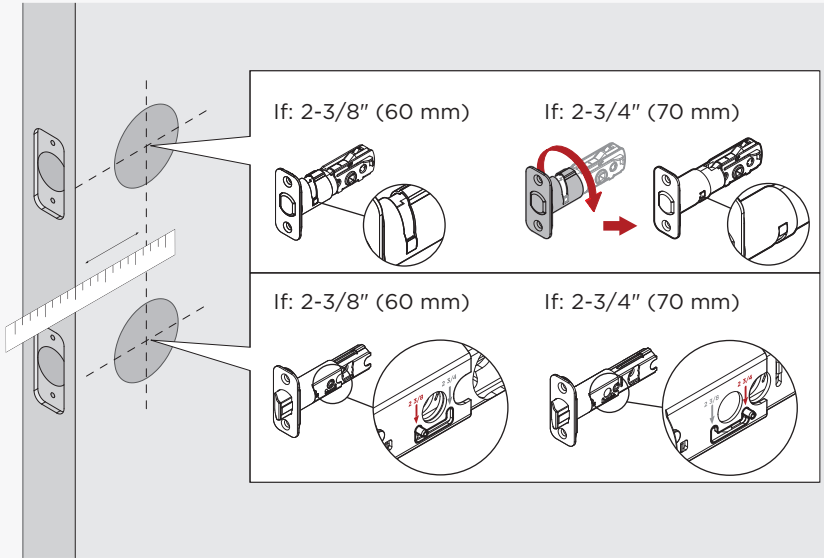


## Levers and Knobs

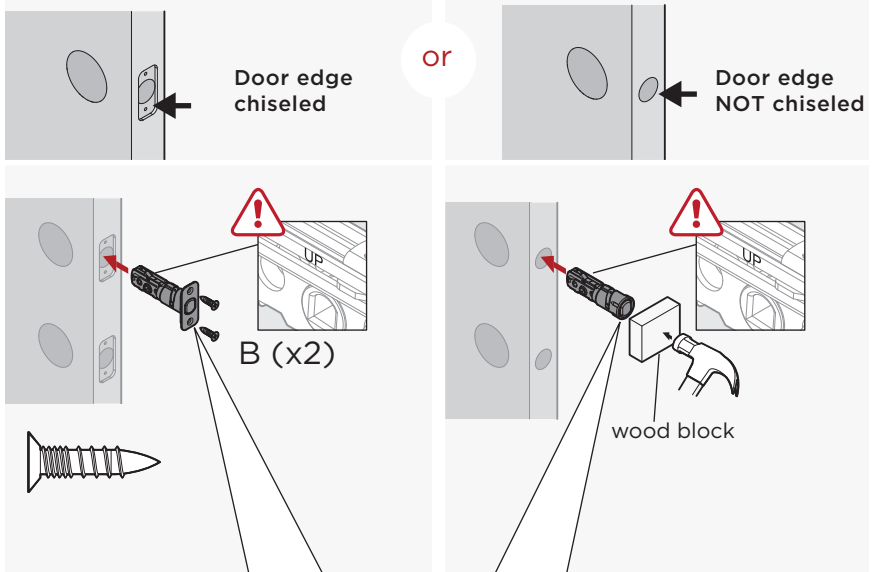




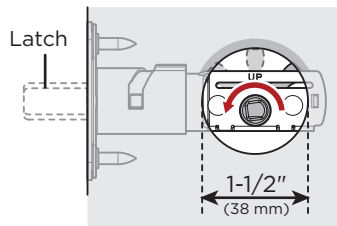
# 1 Adjust backseat of latches (if needed)



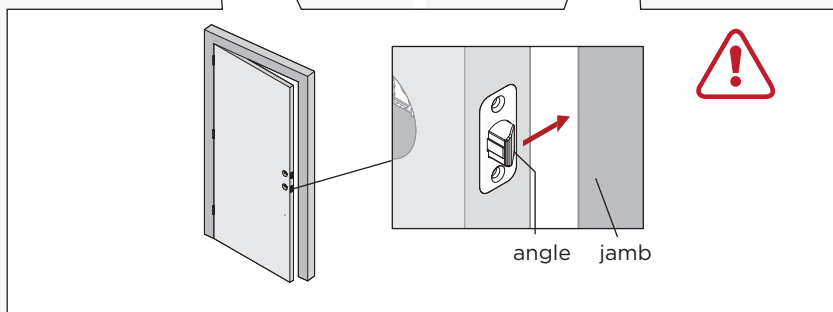
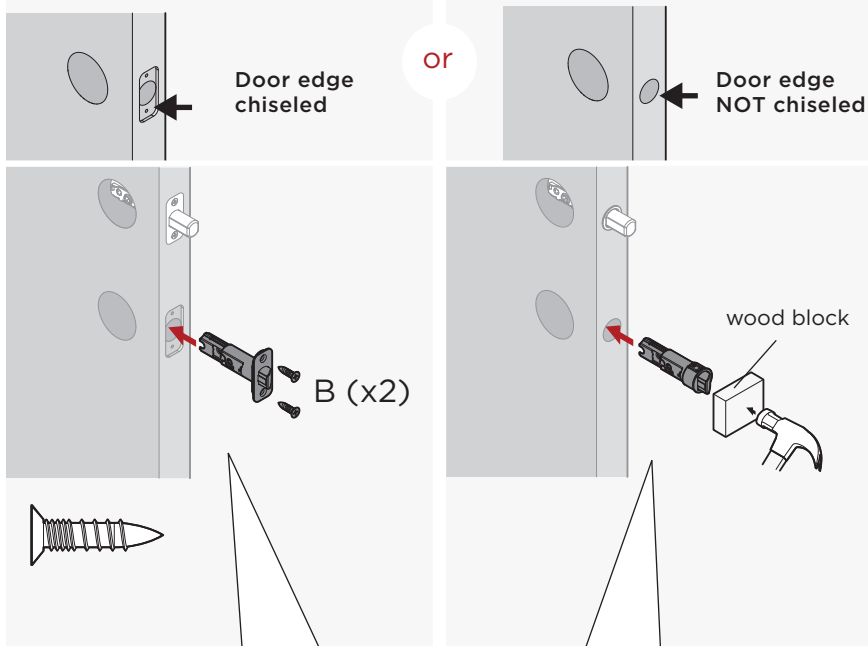
# 2 Install top latch



Note, for a 1-1/2" (38 mm) diameter hole, test if latch extends and retracts. Chisel out area if required.



### 3 Install bottom latch

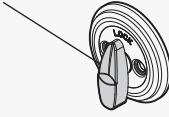


# 4 Install deadbolt

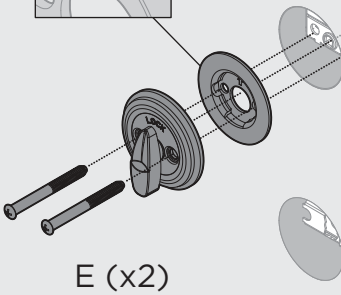
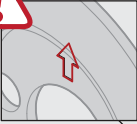
## Option 1: Handleset has Two Cylinders



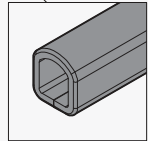
A Make sure turnpiece is vertical.



B



Use this part if hole is 2-1/8" (54mm) in diameter



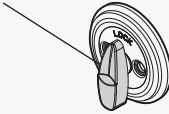
E (x2)

Proceed to Step 5: Option 1

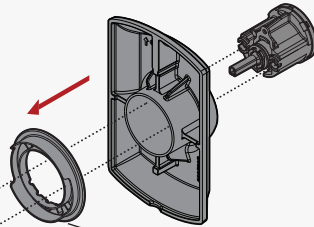
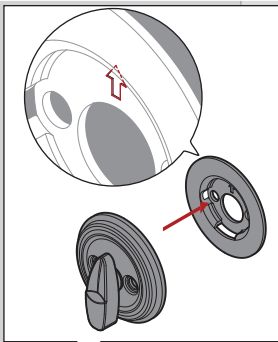
## Option 2: Handleset has One Cylinder



A Make sure turnpiece is vertical.



B



Use this part if hole is 2-1/8" (54mm) in diameter

E (x2)



Proceed to Step 5: Option 2

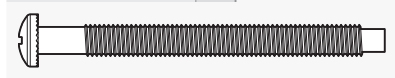
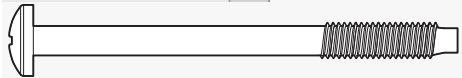
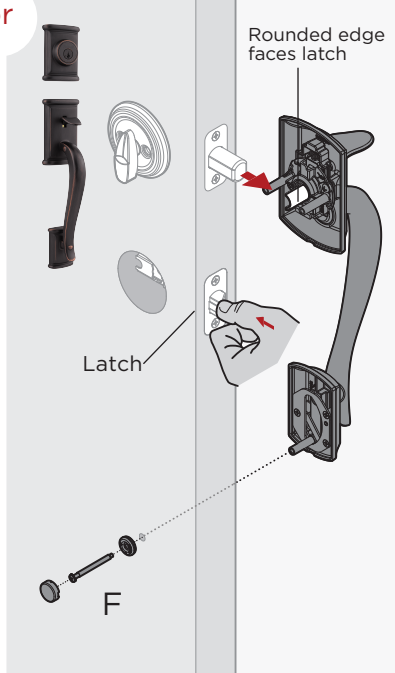
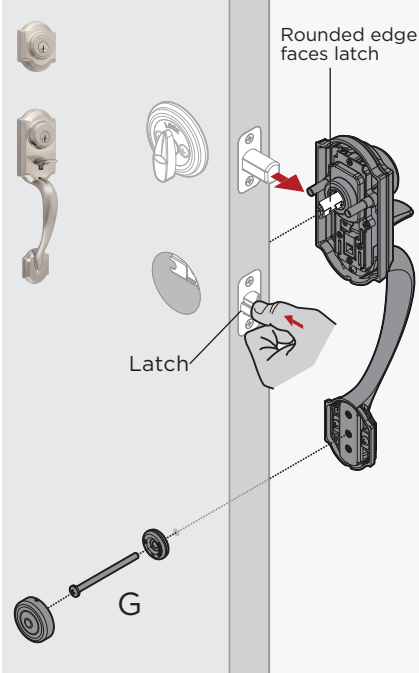
# 5

## Install handleset

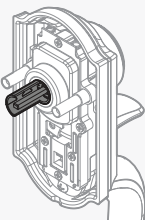
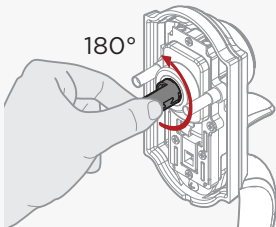
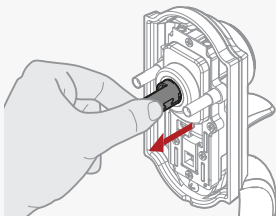
### Option 1: Double Cylinder

### Option 2: Single Cylinder

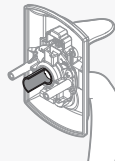
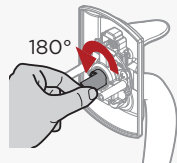
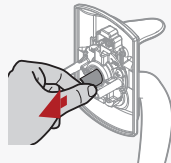
or



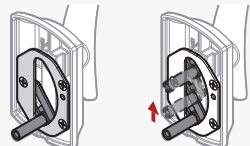
If adjustment is required, pull and rotate the half round 180°.



If adjustment is required, pull and rotate the half round 180°.



Post is adjustable and can be moved to any position within the slot.



# 6

## Install lever or knob

⚠ If screws are not visible on lever or knob, skip to Step 7

Option 1: Visible Screws

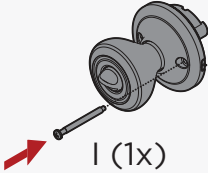


or

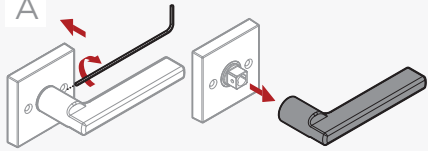
Option 2: Visible Screws



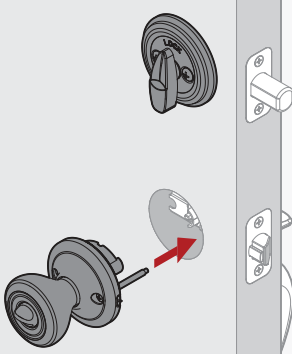
A



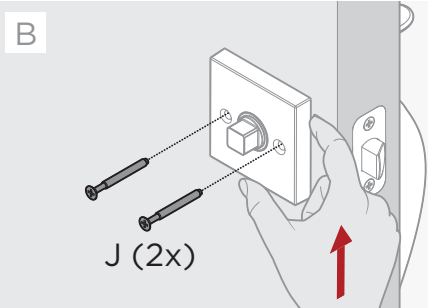
A



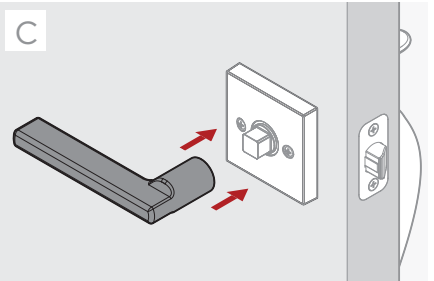
B



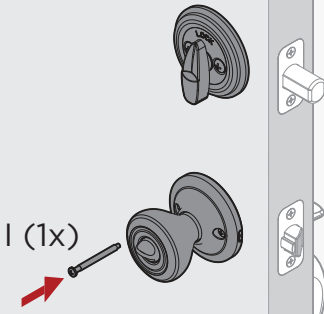
B



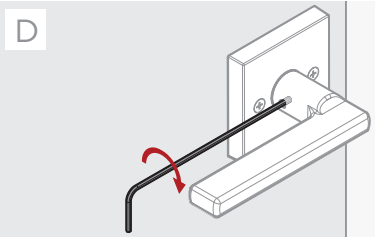
C



C



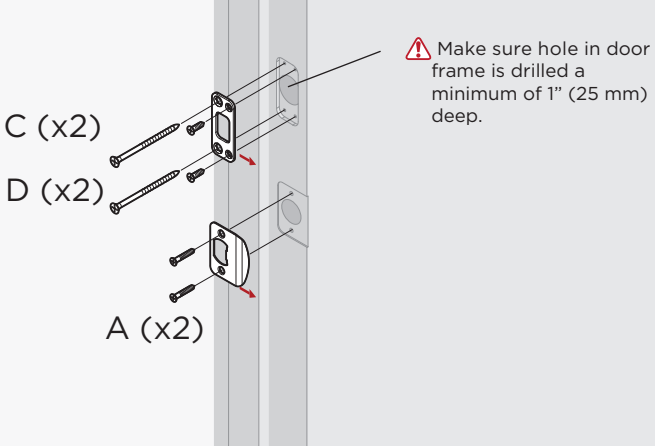
D



# 7

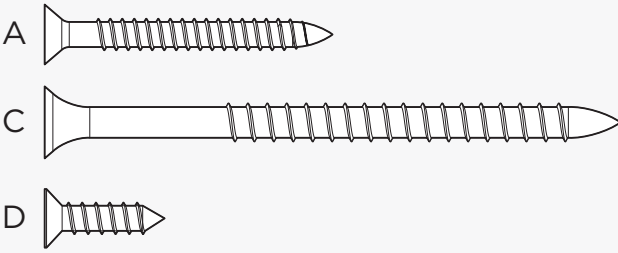
## Install strike on door frame

A

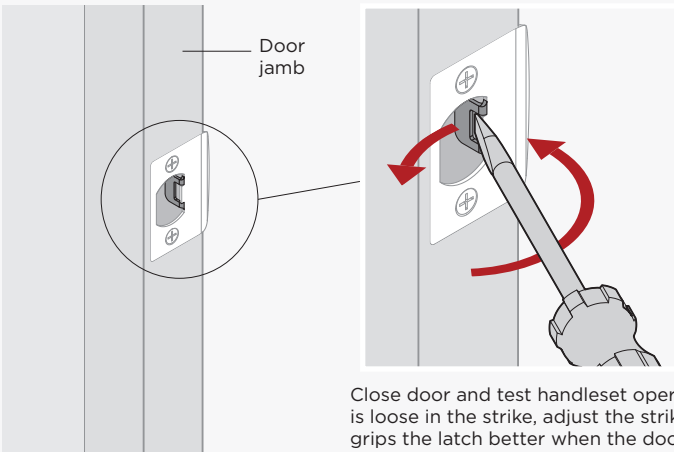


Longer screws install closest to jamb.

⚠ The longer screws, 3" (76 mm) must be used to maintain highest security.



B



# SmartKey Rekeying Instructions



**SMARTKEY**  
**SECURITY™**

**ONE KEY  
FOR ALL  
YOUR LOCKS™**



The lock you can re-key yourself in seconds for any situation, including:



**Recently Moved**



**Lost Keys**



**Multiple Doors**



**Carry Less Keys**

WITH PROTECTION AGAINST  
ADVANCED BREAK-IN TECHNIQUES

For rekeying instructions, you can also visit:

<https://www.kwikset.com/support/answers/how-to-re-key-your-smartkey-security-locks>

If you have any issues, please visit our support center: [kwikset.com/support](https://www.kwikset.com/support) or call us at 1-800-327-5625.



**WARNING:** This Manufacturer advises that no lock can provide complete security by itself. This lock may be defeated by forcible or technical means, or evaded by entry elsewhere on the property. No lock can substitute for caution, awareness of your environment, and common sense. Builder's hardware is available in multiple performance grades to suit the application. In order to enhance security and reduce risk, you should consult a qualified locksmith or other security professional.